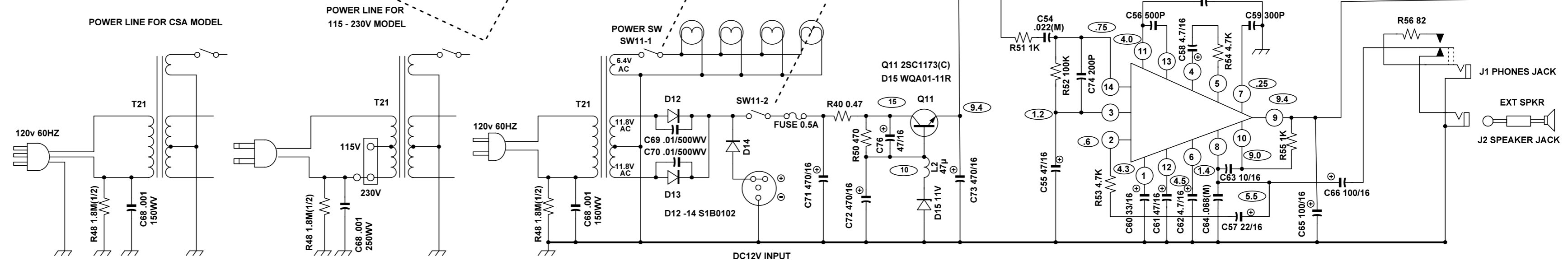


- REMARKS
1. SW1 - 6 BAND SWITCH
 2. SW7 ANL SWITCH
 3. SW8 AVC SWITCH
 4. SW9 STANDBY SWITCH
 5. SW10 - 2,2 MODE (AM SSB CW) SWITCH
 6. VR1,2 RF GAIN CONTROL
 7. VR3/SW11- 1,2 AF GAIN CONTROL/OFF ON
 8. RESISTANCE VALUES IN OHMS K=1000
 9. CAPACITANCE VALUES IN MFD. P MMF. (M) MYLAR
 10. RATING OR TYPE NUMBER OF COMPONENT PARTS ARE SUBJECT TO CHANGE FOR IMPROVEMENT WITHOUT NOTICE
 11. VOLTAGES MARKED MEASURED BY VTVM
RF AND AF VOLUME CONTROLS AT MAXIMUM WITHOUT SIGNAL
BFO ON
VOLTAGES MARKED MEASURED BY VTVM
UNDER THE CONDITION OF RF VOLUME CONTROL MINIMUM AF
VOLUME CONTROL AT MINIMUM WITHOUT SIGNAL. BFO ON



T21 SECONDARY VOLTAGE
Main 22V CT
Lamps 6V

DX 160 FIRST EDITION SCHEMATIC