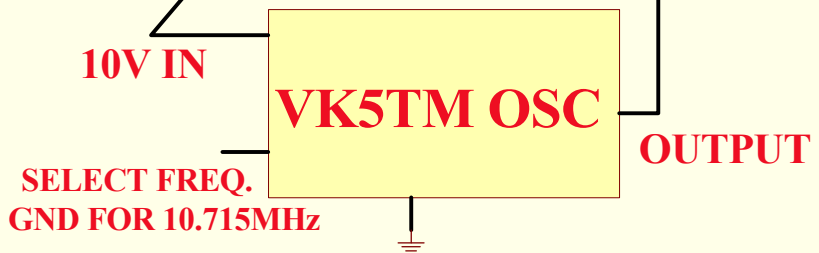
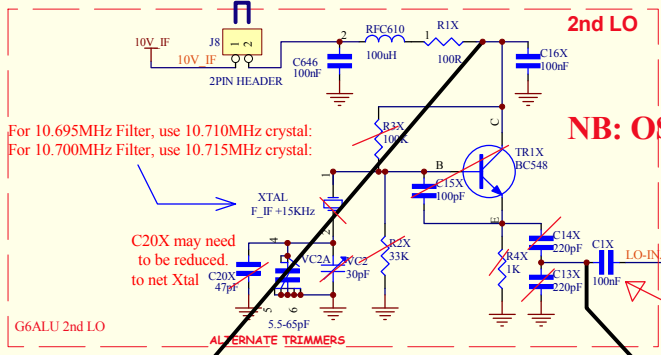
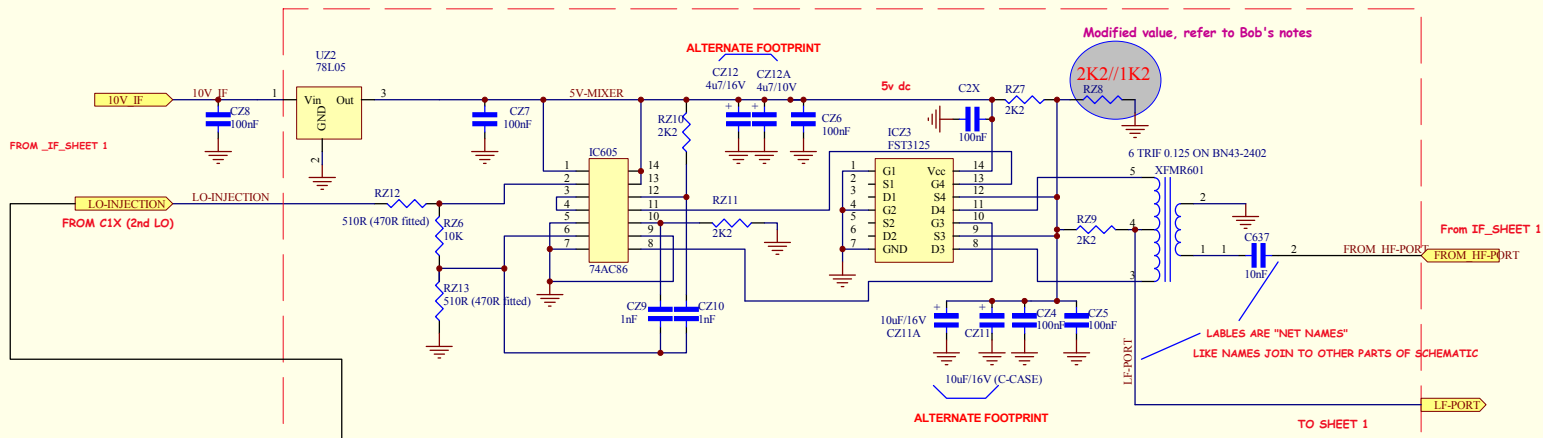


# 2ND LO:- ..PICASTAR IF SECTION (VK3PE Sch) PART ONLY SHOWN

"MIXADAPTER" FST3125 MIXER BOARD (NOW PART OF IF PCB)



SCREENING OF THIS WHOLE ASSEMBLY IS VERY DESIRABLE

LABELS ARE "NET NAMES"  
LIKE NAMES JOIN TO OTHER PARTS OF SCHEMATIC